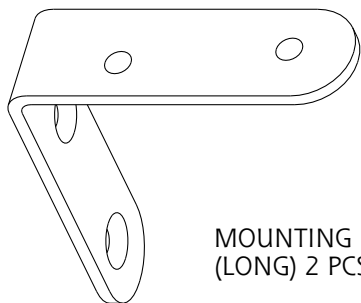
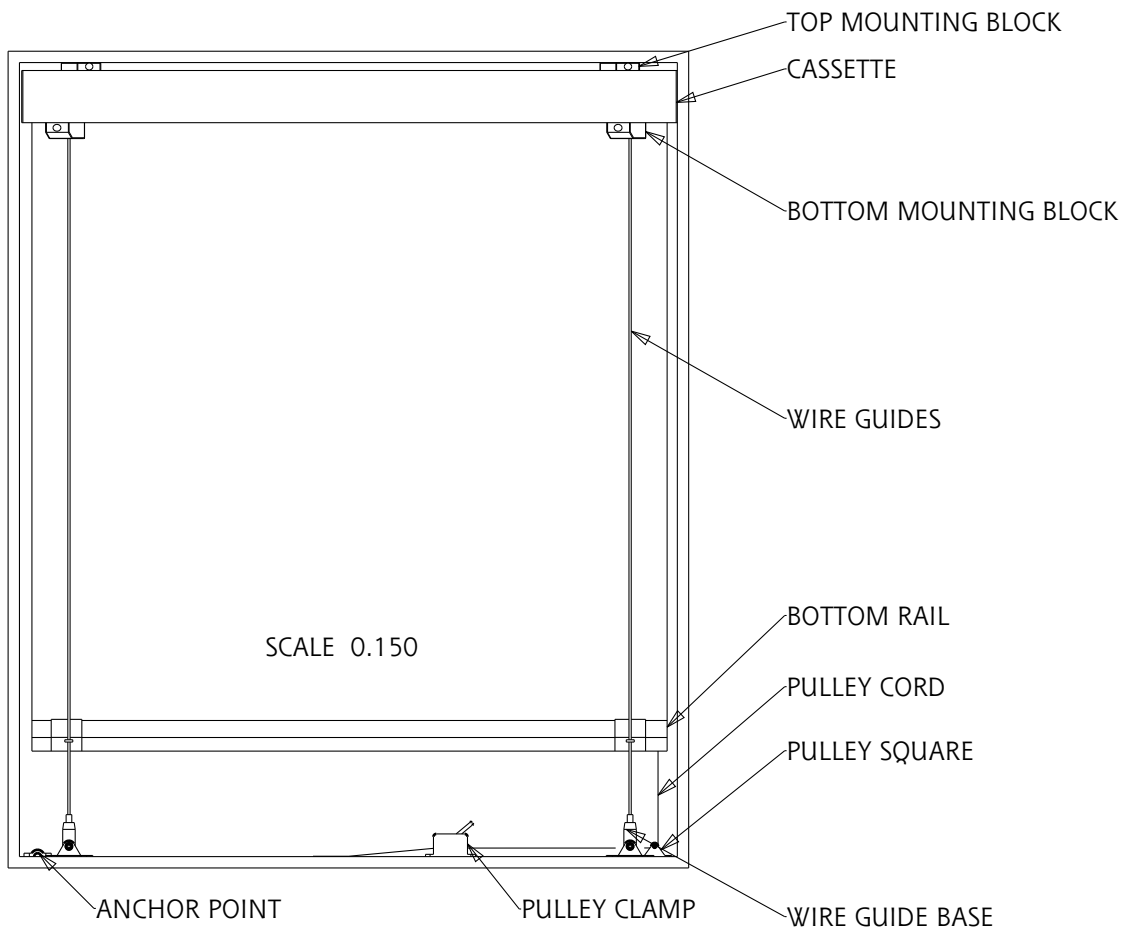
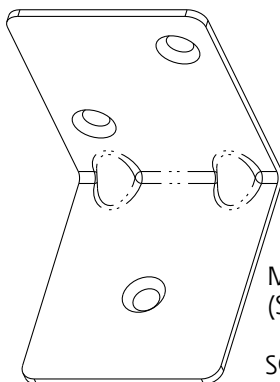


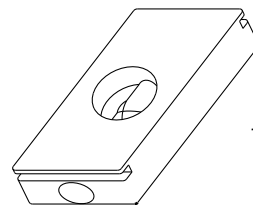
# SOLA-CURE UV WINDOW BLINDS - PARTS LIST



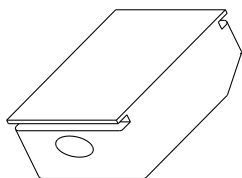
MOUNTING BRACKET (LONG) 2 PCS  
SCALE 0.750



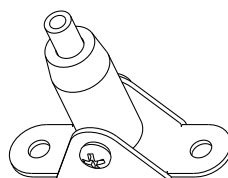
MOUNTING BRACKET (SHORT) 2 PCS  
SCALE 0.750



TOP MOUNTING BLOCK (2 PCS)  
SCALE 0.750



BOTTOM MOUNTING BLOCK (2 PCS)  
SCALE 0.750



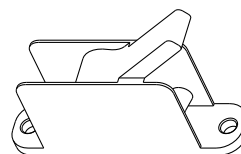
WIRE GUIDE BASE AND FITTINGS (2 PCS)  
SCALE 0.750



ANCHOR POINT (1 PIECE)  
SCALE 0.750



PULLEY SQUARE (1 PIECE)  
SCALE 0.750



PULLEY CLAMP (1 PIECE)  
SCALE 0.750

AUXANO TECHNOLOGIES LTD  
MALTA MILL, MILLS HILL RD  
MIDLETON, MANCHESTER, UK M24 2FD  
TEL: +44 (0) 161 643 6060  
web: [www.sola-cure.com](http://www.sola-cure.com)