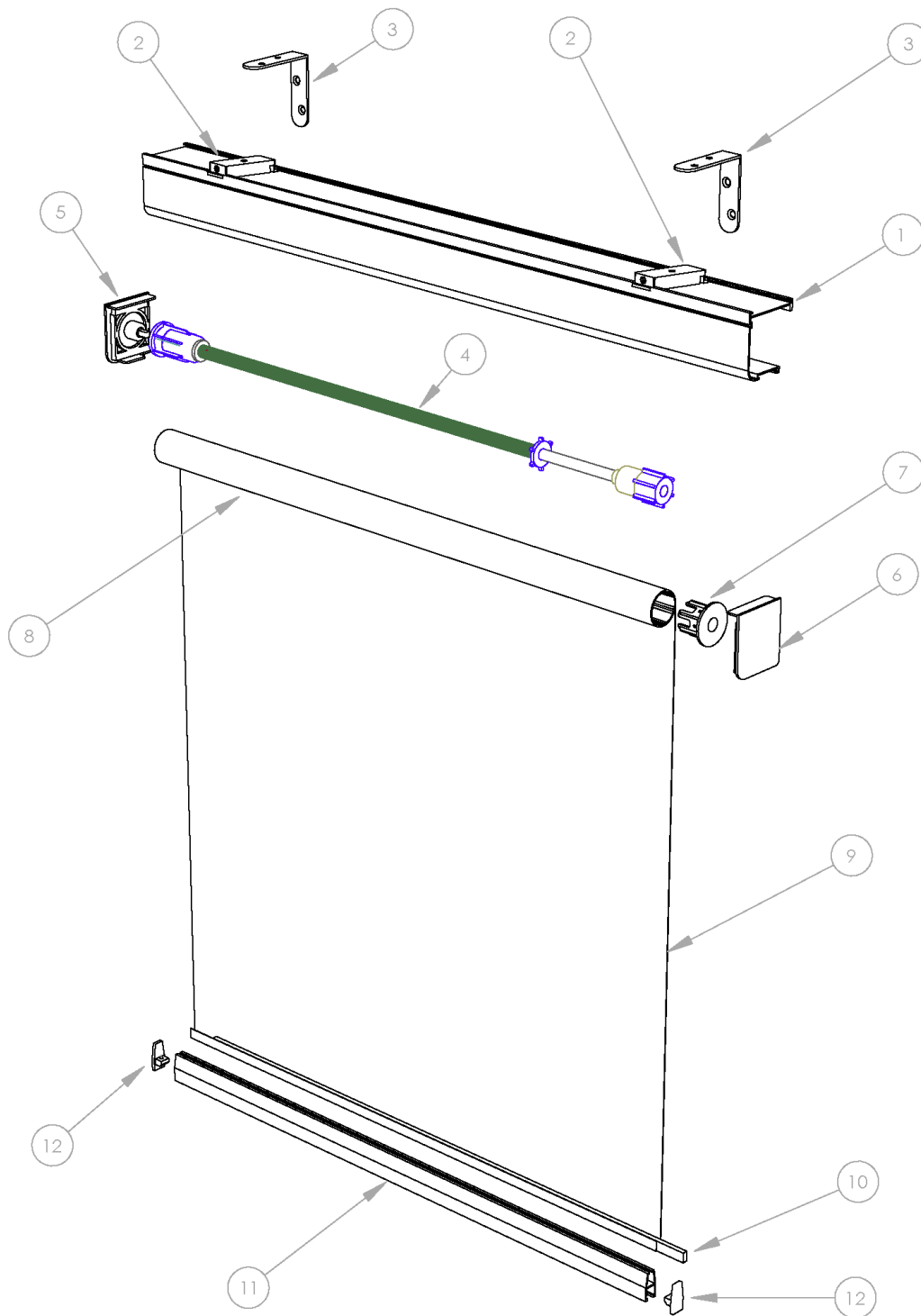




INSTALLATION INSTRUCTIONS

BASE COMPONENTS COMMON TO ALL SPRING MECHANISM BLINDS



ITEM	DESCRIPTION	DRAWING No	ITEM	DESCRIPTION	DRAWING No
1	Cassette	10-W-0160	7	Roller end cap (idle end)	10-W-0166
2	Top Mounting Block	10-W-0167	8	Roller	10-W-0161
3	Mounting bracket	10-W-0172	9	Blind material	
4	Spring mechanism		10	Bottom rail inner bar	10-W-0174
5	Cassette end cap (left)	10-W-0162	11	Bottom rail	10-W-0173
6	Cassette end cap (right)	10-W-0163	12	Bottom rail end caps	10-W-0175

TOP MOUNTING BLOCKS

IMPORTANT NOTE: MOUNTING BLOCKS SHOULD BE MOUNTED AS WIDE APART AS POSSIBLE. THIS MINIMISES DEFLECTION BETWEEN MOUNTING BLOCK AND THE ENDS OF THE CASSETTE



1. **Face fix:** Sola-Cure blinds are supplied with two L shaped brackets. The brackets are for use when face fixing only.



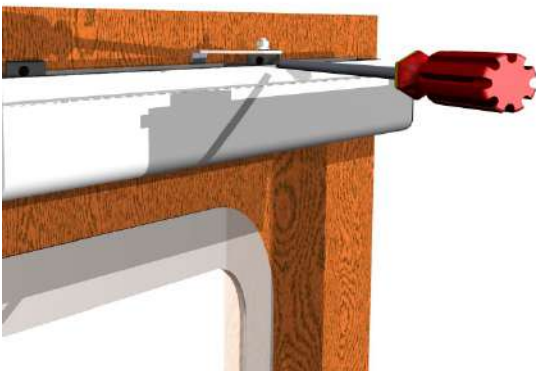
2. **Top fix:** If fixing to the ceiling or horizontal surface above or below the window, the L brackets are not required. The mounting block can be fitted directly to the horizontal surface.

Ensure the top mounting block is **secure but free to rotate**.

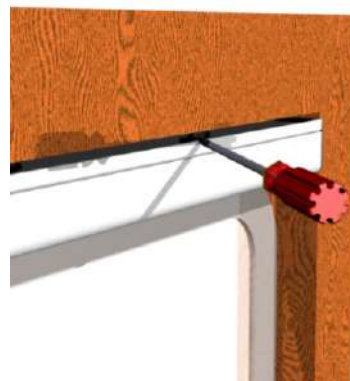
Ensure the hole in the block is visible, and is accessible with a screwdriver or similar shaft.

3. Both blocks should be the same distance from the window.
4. Rotate the mounting blocks approx. 30 degrees clockwise so that the depth from front to back will easily sit inside the lips on the top of the cassette. Ensure you have access to the hole in the mounting block.
5. Hold the cassette up to the mounting block in the location that you intend to fit the blind. Check the cassette will fit. *Tip: Move the cassette slightly to the left by about 5mm.*
6. Note: the mounting blocks can be positioned anywhere along the cassette This allows for a great deal of flexibility on where the bracket/blocks are located.
7. Once satisfied with the positioning of the cassette, introduce the top face of the cassette to the bottom face of the mounting block. Using a screwdriver or similar tool with a small round shaft, insert the shaft into the hole of the mounting block and turn anti-clockwise until the lip of the mounting block is underneath the lip of the cassette (see diagrams below)
8. Check that the rear lip of the mounting block has also engaged correctly with the cassette

Face fix



Top fix



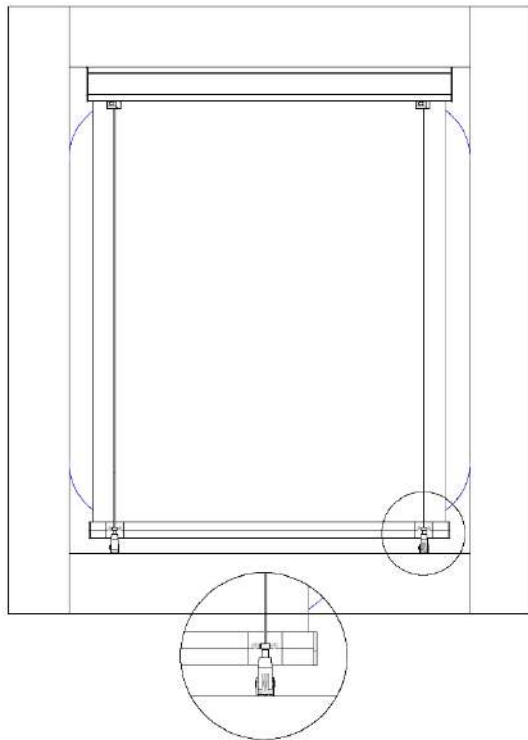
STABILITY AT SEA

9. There are 3 options available for providing stability at sea.
 - a. Wire guides
 - b. Retaining pins
 - c. Side rails

Check with the purchase order to confirm if any of the above options are specified.

WIRE GUIDES

10. Wire guide bases (below) can be fitted on any surface below (top mounted blinds) or above (bottom mounted blinds) the window, at any angle. The body of the base can be rotated to ensure the wires are parallel to the window.
11. Pull the blind down by hand. Leave just enough height to place the wire guide base.
12. Take one of the wire guide cables and extend it vertically down, threading it through the rail and in to the top of the wire guide base. Push down and through the base.
13. The base has an internal clamp to retain tension applied in the wire. To release, press the top of the base down.
14. Position the wire guide base as shown below. The cable must be 90 degrees to the cassette.



15. For additional tension, pull the wire through the base. Using long nosed pliers. It is possible to increase the tension in the wires by pulling the wire through further.
16. Excess cable can be cut away using snips or other suitable tool.
17. Repeat the above for the second wire guide.

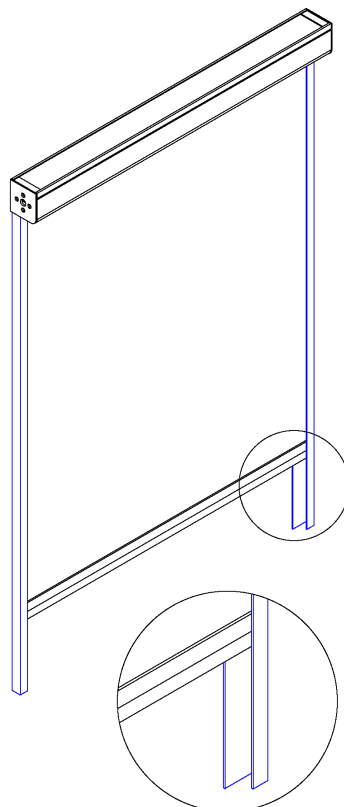
RETAINING PINS

18. Where blinds are supplied with a retaining pin system, each blind will be complete with male pins in the end of each side of the bottom rail.
19. A pair of hooks will be supplied as loose items.
20. Pull the blind down to the desired 'fully down' position. This will establish the required location for the hooks. Mark and fix the hooks.



SIDE RAILS

21. Side rails are available for rectangular or square shaped blinds only.
22. Sola-Cure does not pre-drill holes for fixing. Holes can be drilled in the rear face (face fix rails) or in the left/right face. We recommend at least 2 holes per metre and use countersunk screws.



OPERATION METHOD

There are 2 options available for operating a spring mechanism Sola-Cure blind

- A. Pulley cord operation
- B. Handle

PULLEY CORD



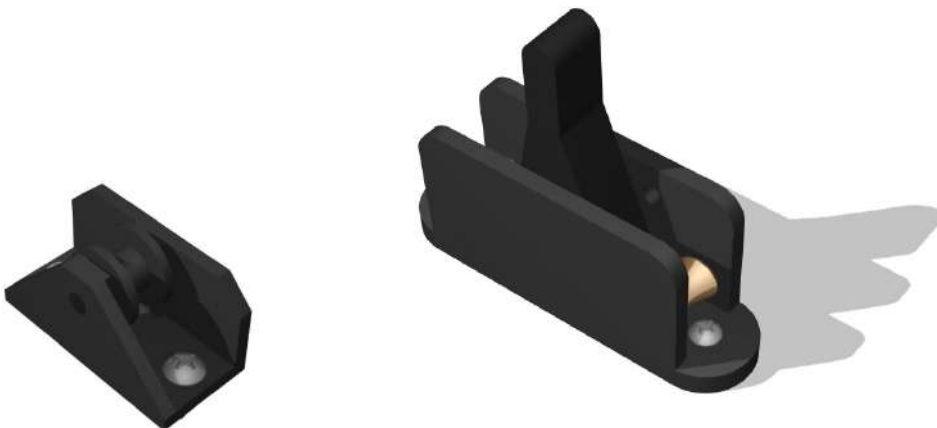
23. The pulley cord runs over two binding screws in the bottom rail of the blind.



24. One end of the cord is fixed using the base piece or anchor point (see left). Pull the cord to the desired position vertically underneath the rail. The cord should be at 90° to the bottom rail.

25. The base is fitted with two small screws and the cord is fed under the base (note the groove on the underside of the base). Tie a knot in the end of the cord to prevent it from being pulled back under the base piece.

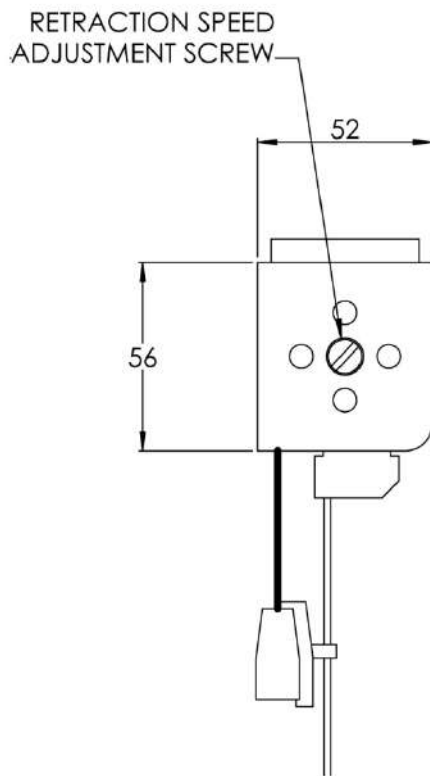
26. On the opposite side of the bottom rail, the cord should also be held vertically underneath the other rail.
27. The cord will feed through a small wheel (pulley square - see below left) and then into the pulley clamp (also below right). Using the pulley square allows the clamp to be placed at 90 degrees to the vertical cord in a location favourable to the operator.



28. Feed the cord through the pulley square and then through the pulley clamp.
29. The arm on the pulley clamp will be used to clamp and release the cord which dictates the position of the window blind.
30. Excess cord can be tidied around the cleat, also provided.

RETRACTION SPEED ADJUSTMENT

31. Sola-Cure blinds are unique in that they incorporate a feature that allows the user to adjust the speed at which the blind retracts. On one end of the cassette, there is an adjustment screw (flat head screwdriver slot).
32. IMPORTANT: Before adjusting the screw, pull the blind down so that approximately half the full depth of the blind is visible (for extremely long blinds, one metre is sufficient).
33. When turning the adjustment screw **clockwise**, the depth of blind will reduce. This will increase the speed of retraction.
34. When turning the adjustment screw **anti-clockwise**, the depth will increase. This will reduce the speed at which the blind retracts.



OPERATION

35. Sola-Cure window blinds are available as a self locking (SL) or constant tension (CT) option. However this does not affect how the blind is operated.
- d. **Self-locking (SL).** The blind can be stopped at various points of retraction and will maintain that position without using the pulley clamp. A short, firm pull down on the blind (using the cord or handle) will release the locking mechanism and the blind will fully retract.
 - e. **Constant tension (CT).** The blind can be stopped at any point of retraction and maintain that position. To do this, the operator must use the pulley clamp. If the clamp is not engaged on to the cord, the blind will retract fully.
36. To operate the blind, ensure the clamp is in the release position (depending on how the clamp is positioned, the release position can either be fully to the left or right).
37. Pull the cord through the clamp to draw down the blind. When the blind is in a suitable position, rotate the arm on the clamp fully to clamp the cord (for SL and CT type blinds)
38. To return the blind fully inside the cassette, release the clamp. CT blinds will immediately retract. For SL type blinds, a short, firm pull of the cord will retract the blind.

CLEANING

39. For cleaning of the film, we recommend the use of a feather duster or dry dust cloth.
40. For stubborn stains on the film, methylated spirits on a cloth can be used. Caution: Do not press hard.
41. Pull down the blind fully and gently wipe/dust the film on both sides

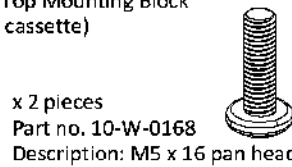
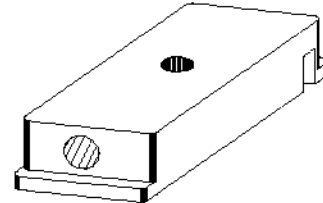
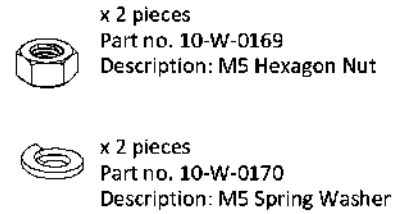
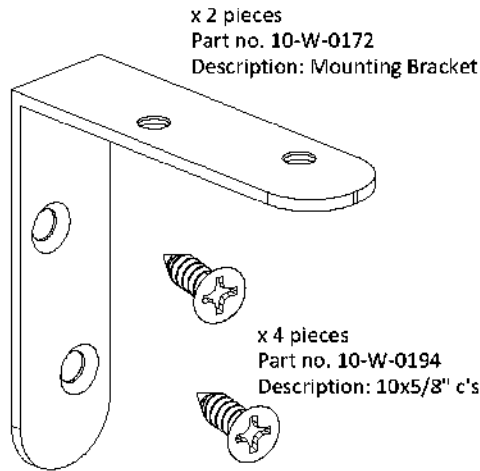
APPENDIX

42. Appendix A attached – Loose items.

CONTACT

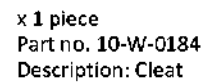
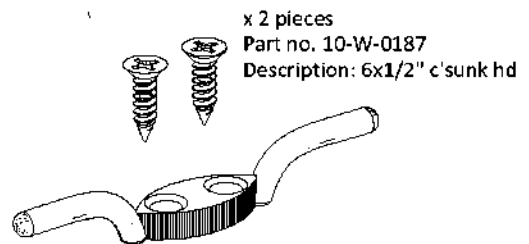
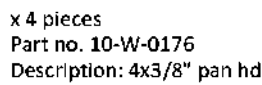
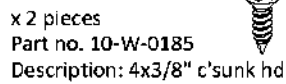
Auxano Group Ltd, United Kingdom e-mail: enquiries@sola-cure.com
Tel: +44 (0) 161 643 6060
Web: www.sola-cure.com

APPENDIX A : LOOSE ITEMS

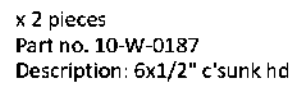
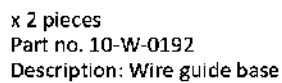
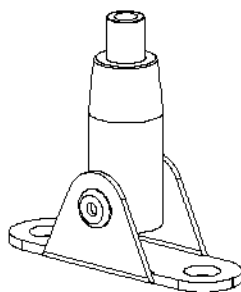


MOUNTING PARTS

PULLEY CORD PARTS



WIRE GUARD PARTS



RETAINING PIN PARTS